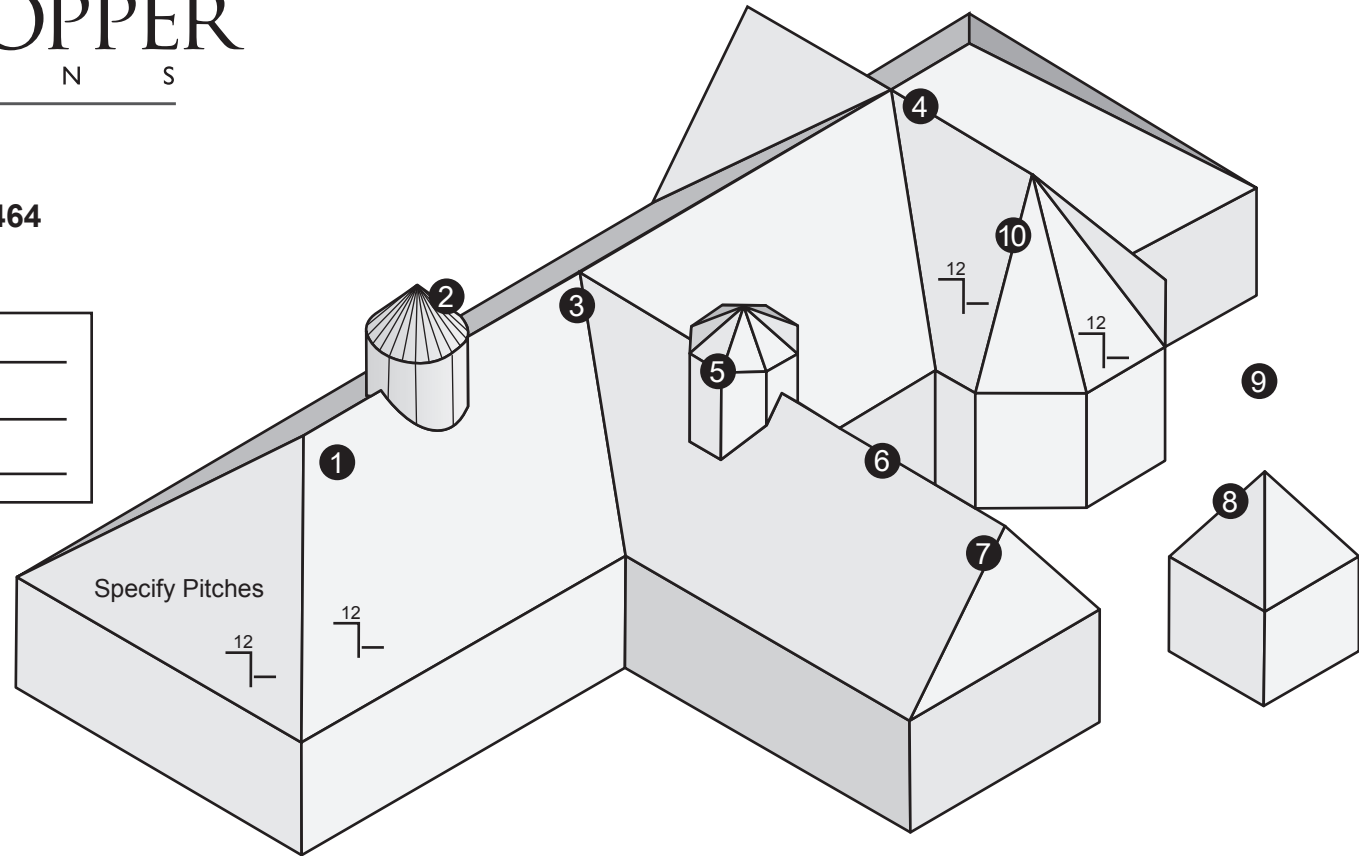


# CUSTOM COPPER

D E S I G N S

Please Sign & Fax to **(405) 793-9464**  
for Production to Begin

APPROVED BY: \_\_\_\_\_  
NAME: \_\_\_\_\_  
DATE: \_\_\_\_\_



- 1 Ridge to Hip
- 2 Round
- 3 3-Way Ridge
- 4 4-Way Ridge
- 5 Multi-Sided (Number of Sides): \_\_\_\_\_
- 6 Ridge
- 7 Ridge to Gable
- 8 4-Sided Hip
- 9 Flat
- 10 Ridge/Multi-Sided Hip (Specify Pitches & Number of "Hips"): \_\_\_\_\_

Mounting Position (1-10): \_\_\_\_\_

Roof Pitch(s): \_\_\_\_\_

### ROOFING MATERIAL SPIRE IS SITTING ON

Architectural Shingles

Standing Seam Panels

Seam Height: \_\_\_\_\_ Seam Spacing: \_\_\_\_\_

Clay/Concrete/Slate Tile

If other than architectural roof shingles, please specify manufacturer & profile of roofing material